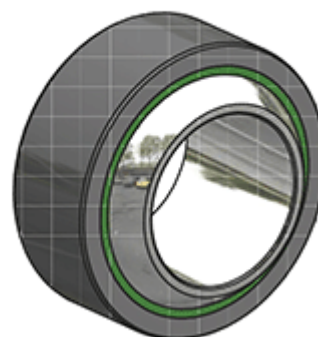
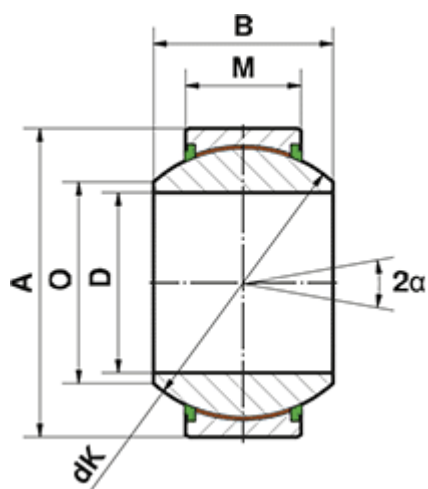


Article number: 03446080

Description: Fluro Heavy Duty Spherical Plain Bearing GE 80 GW-2RS
Hole Ø80

Note: 80

Measures



| | | |
|-------------|-------|----------------------------|
| | = - | Dynamic load C (kN) = 1380 |
| | = - | M = 50 |
| | = - | O = 87.1 |
| A | = 130 | Static load C0 (kN) = 2300 |
| a (degrees) | = 14 | Weight (g) = 3600 |
| B | = 75 | |
| D | = 80 | |
| dK | = 115 | |